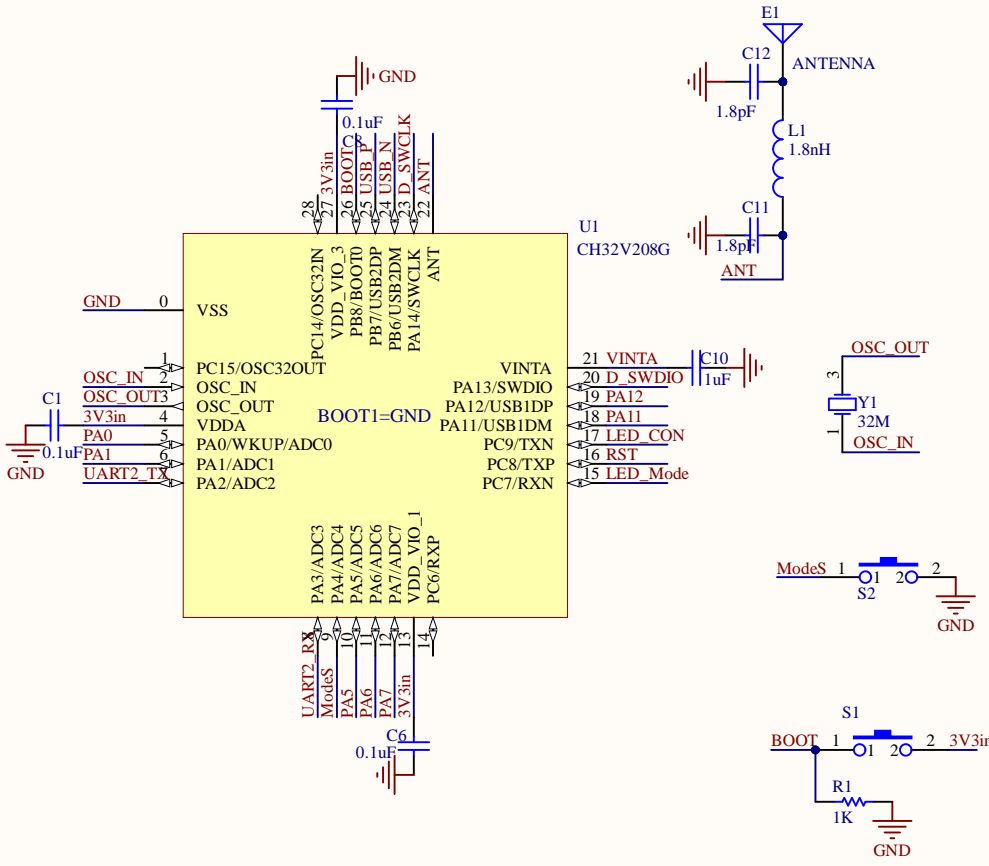
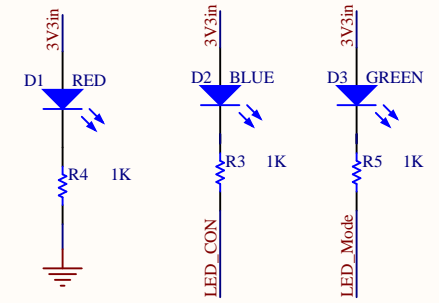


MCU

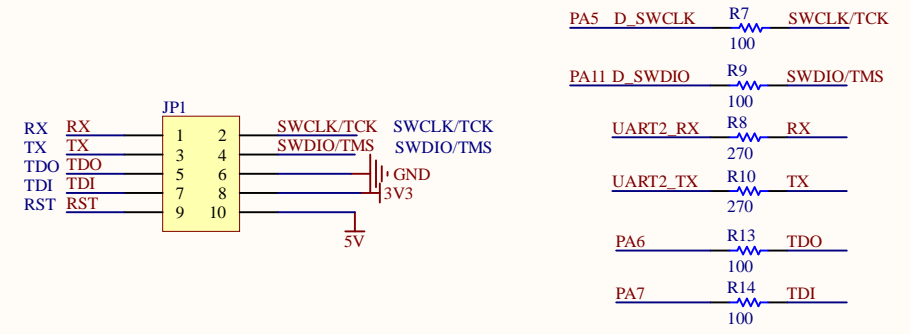
WCH-LinkW-R0-1v1



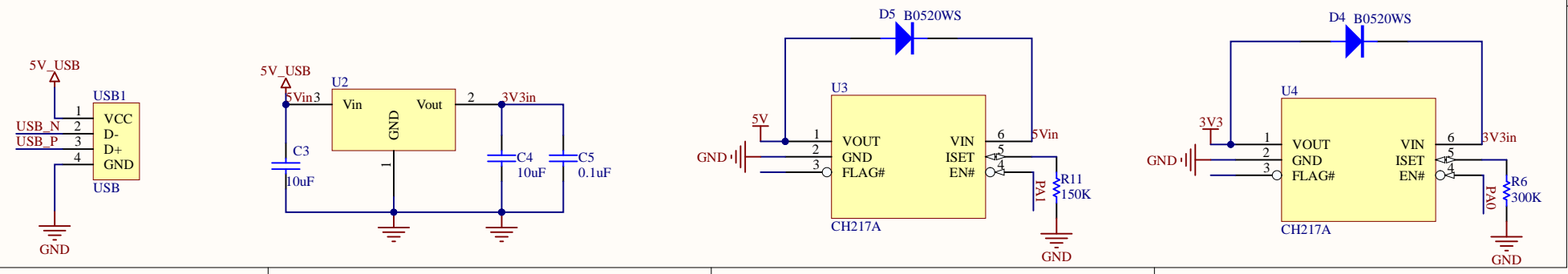
LED



HEADER

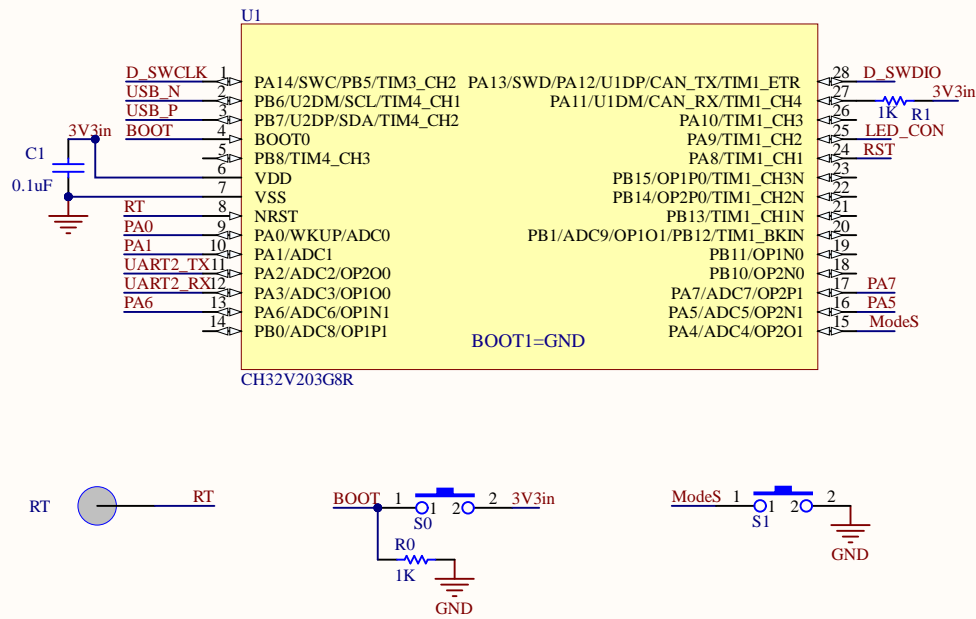


POWER

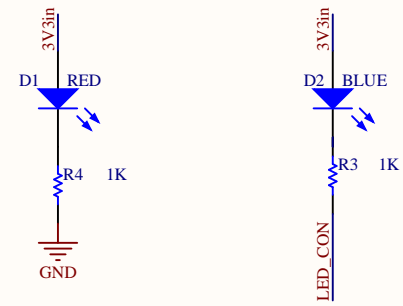


MCU

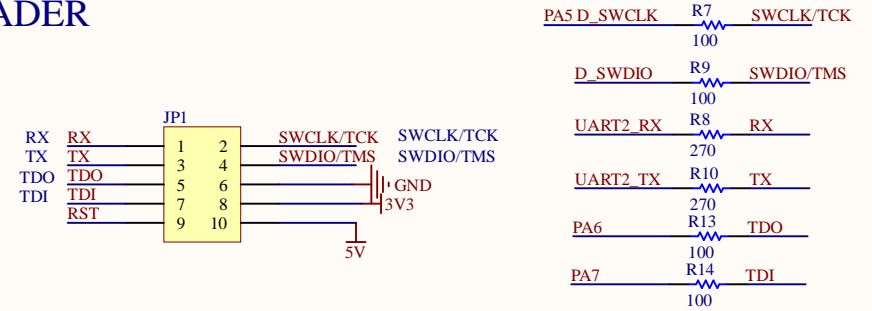
WCH-DAPLink-R0-2v0



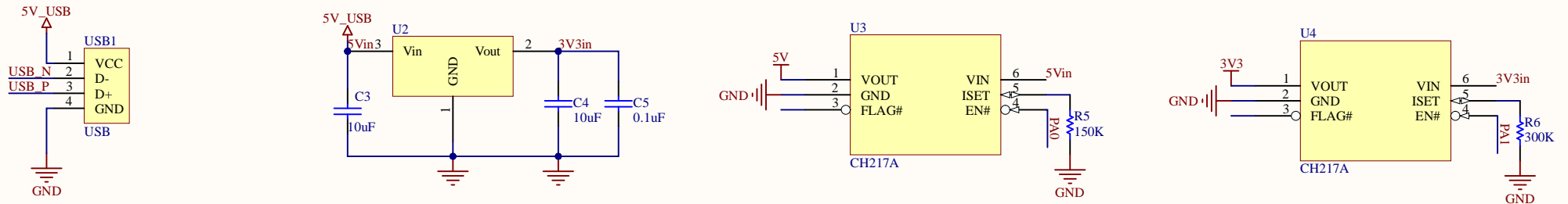
LED



HEADER

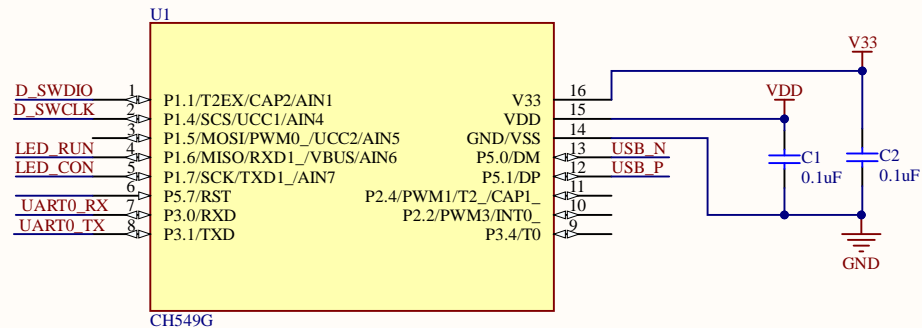


POWER

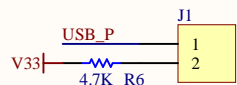


MCU

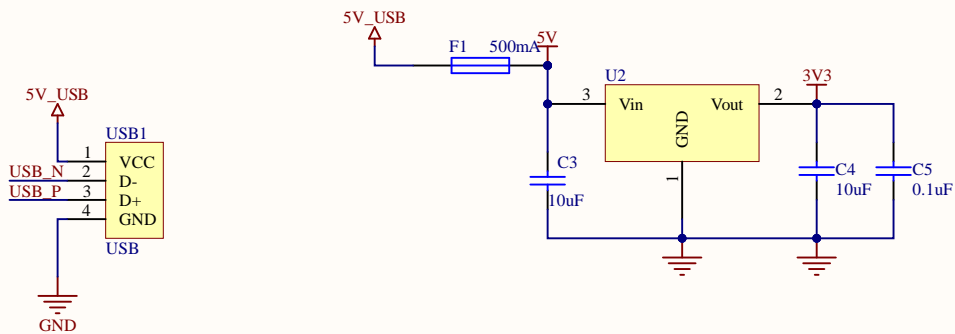
WCH-Link-R1-1v1



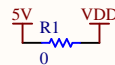
0.1uF capacitor as close as possible to the chip pins,
default internal crystal oscillator



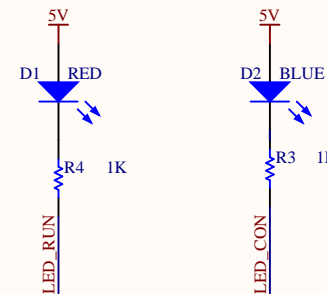
POWER



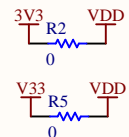
5V Power supply



LED



3.3V Power supply



HEADER

